

Breaking the rules



V1.0

naggura'n



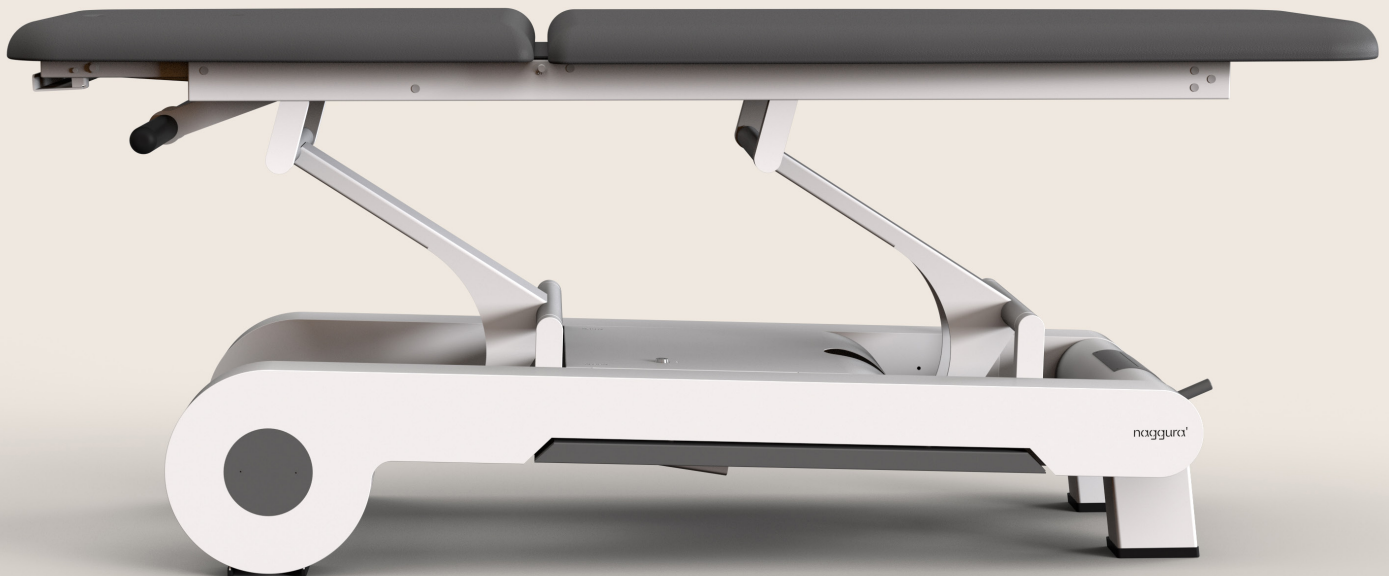
naggura.com

N'RUN2L

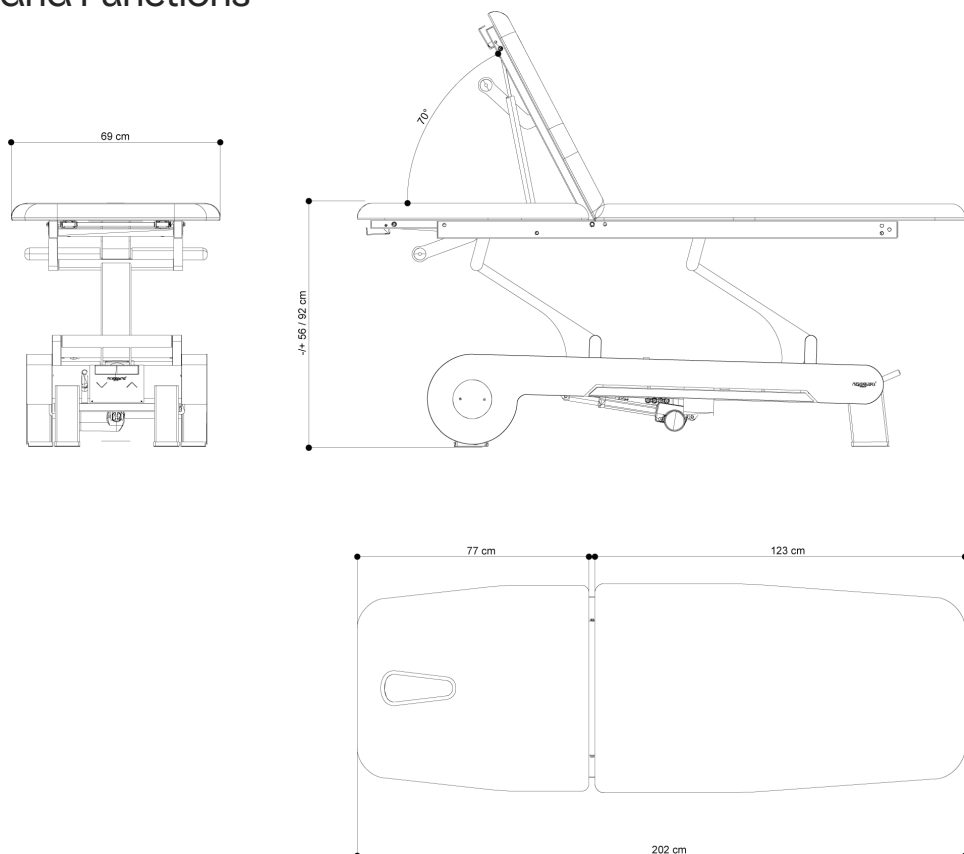
MEDICAL EXAMINATION



PHYSIO



Dimensions and Functions





General Specifications

MOTOR

1 engine height (6000 N),

HEIGHT ADJUSTMENT

-/+ 56/92 cm

WEIGHT

141 kg

LIFTING CAPACITY

250 kg

POWER SUPPLY

AC100 – 120V, 50/60 Hz

AC220 – 240V, 50/60 Hz

INSULATION CLASS

Reinforced insulation II

PRODUCT CLASSIFICATION

Class I Equipment

APPLIED PARTS

Type B

MOISTURE RESISTANCE

IPX0

CONFORMITY

IEC 60601-1:2005, IEC 60601-1:2005/AMD1:2012

EN 60601-1-2:2015, IEC 60601-1-6:2010

IEC 60601-1-6:2010/AMD1:2013, ISO 10993-10:2010

ISO 10993-5:2009

FRAME COLOUR

RAL 7047 + RAL 7011

FEEDER CABLE

3m, White

Operation

Head section with 2 gas springs. Handlebar support.

Fully integrated peripheral switch, easy access from all sides of the table.

4 wheels turning 360°. Fully integrated system underneath the base frame. 2 levers lift the table on its 4 wheels.

Safety

Safety switch with key (power off).

Double tip system with automatic standby system (5 sec), for all motors.

Upholstery

THICKNESS

5cm

DENSITY:

40kg/m³

Breathing hole and plug.

Seamless upholstery with round edges.

Coating: 100% vinyl. Permablok 3 © advanced vinyl protection (against germs and bacteria). Superior abrasion resistance: >300K cycles.

Flame retardancy: NF P 92-503/M2

● Colour: Graphite

Warranty

2 years on table and upholstery.

Accessories

3 models of stools, 5 colours



Paper roll holder



Bed covers, 2 colours

